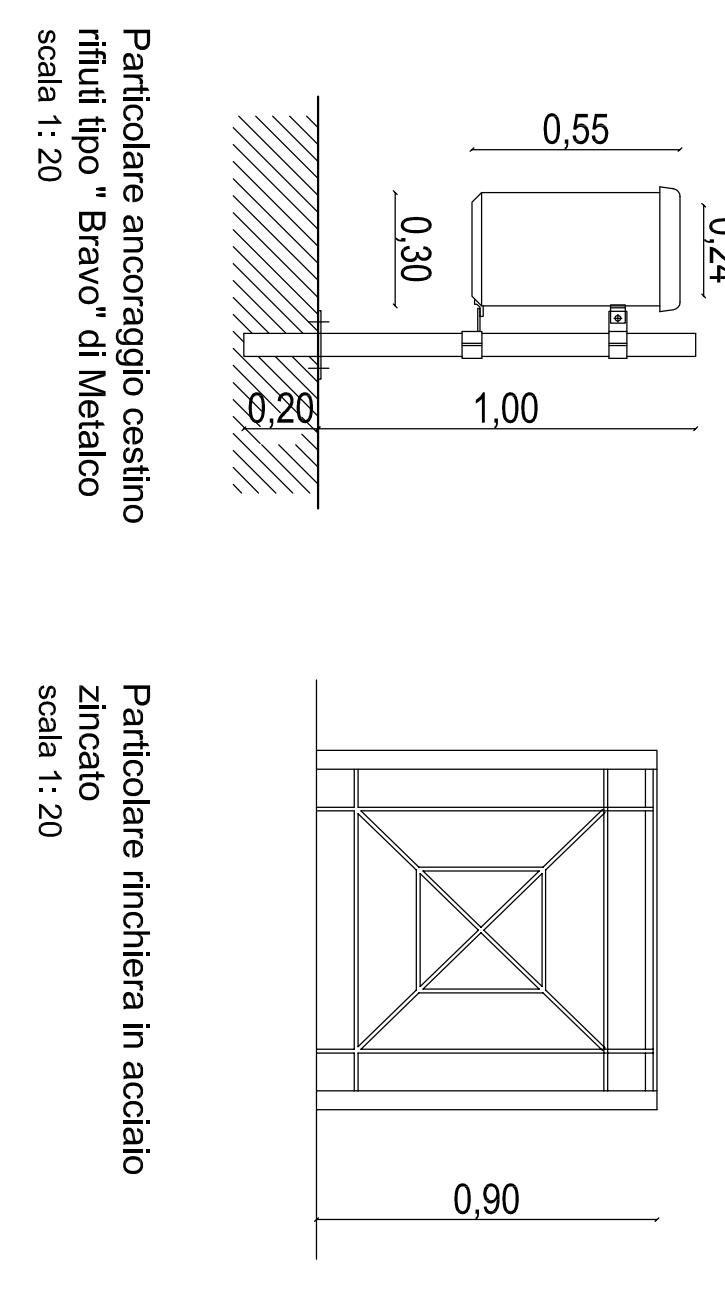
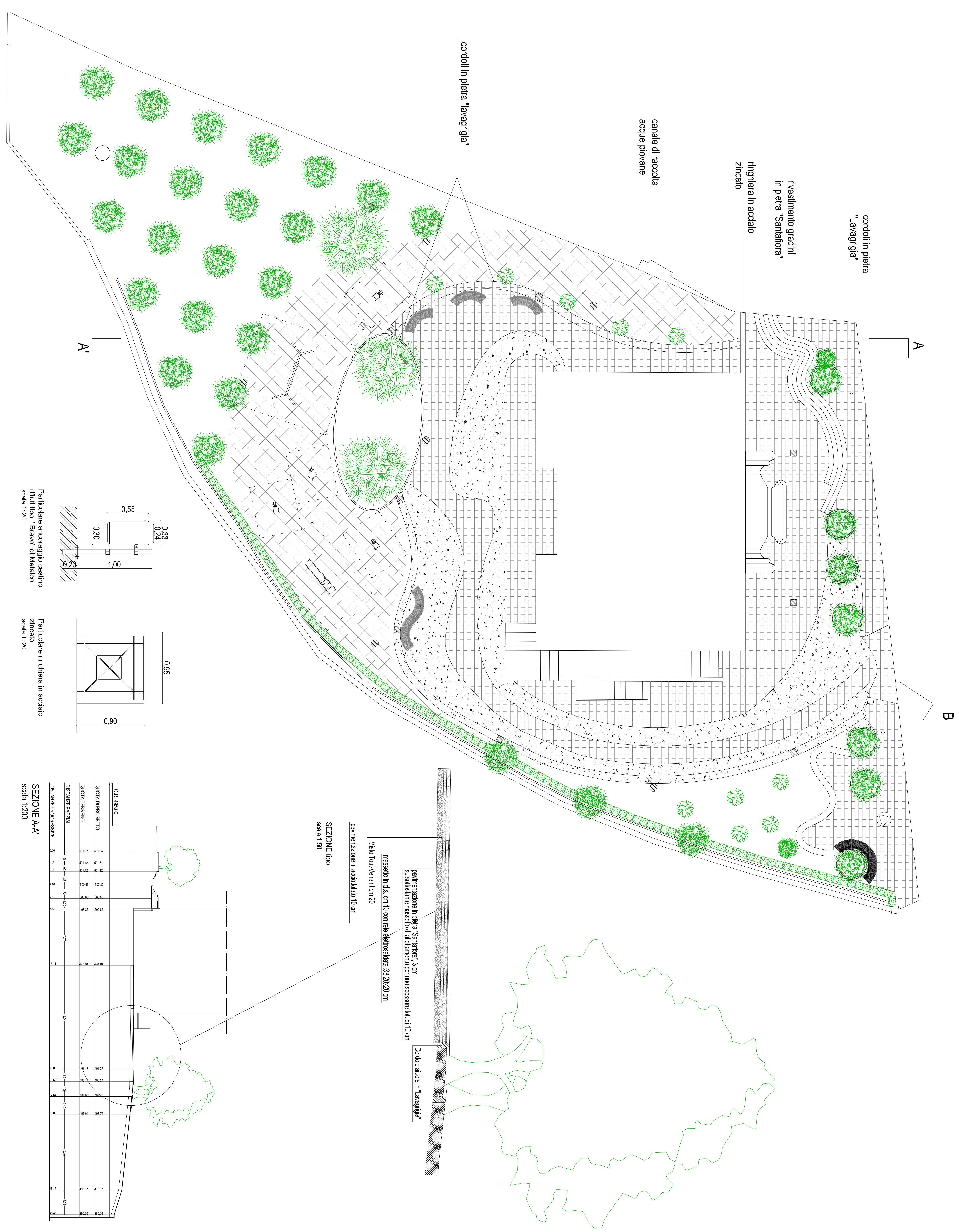


- Legenda:**
- terreno
  - pavimentazione in acciottolato mq 205
  - pavimentazione in pietra "Santiflora" mq 456,241
  - pozzetti o tombini
  - giochi e spazio minimo d'irraggiamento
  - staccionata di legno a croce di S. Andrea
  - corpo illuminante su palo tipo "Discovery" di Disano
  - collocamento busto G.C.Scanderbeg in bronzo
  - quercus ilex
  - magnolia grandiflora
  - siepe laurus nobilis



**SEZIONE AA'**  
scala 1:200

QUOTA PROGETTO	QUOTA TERRENO	DISTANZE PARZIALI	DISTANZE PROGRESSIVE
114.10	114.10	0.00	0.00
113.10	113.10	10.00	10.00
112.10	112.10	20.00	20.00
111.10	111.10	30.00	30.00
110.10	110.10	40.00	40.00
109.10	109.10	50.00	50.00
108.10	108.10	60.00	60.00
107.10	107.10	70.00	70.00
106.10	106.10	80.00	80.00
105.10	105.10	90.00	90.00
104.10	104.10	100.00	100.00
103.10	103.10	110.00	110.00
102.10	102.10	120.00	120.00
101.10	101.10	130.00	130.00
100.10	100.10	140.00	140.00
99.10	99.10	150.00	150.00
98.10	98.10	160.00	160.00
97.10	97.10	170.00	170.00
96.10	96.10	180.00	180.00
95.10	95.10	190.00	190.00
94.10	94.10	200.00	200.00
93.10	93.10	210.00	210.00
92.10	92.10	220.00	220.00
91.10	91.10	230.00	230.00
90.10	90.10	240.00	240.00
89.10	89.10	250.00	250.00
88.10	88.10	260.00	260.00
87.10	87.10	270.00	270.00
86.10	86.10	280.00	280.00
85.10	85.10	290.00	290.00
84.10	84.10	300.00	300.00
83.10	83.10	310.00	310.00
82.10	82.10	320.00	320.00
81.10	81.10	330.00	330.00
80.10	80.10	340.00	340.00
79.10	79.10	350.00	350.00
78.10	78.10	360.00	360.00
77.10	77.10	370.00	370.00
76.10	76.10	380.00	380.00
75.10	75.10	390.00	390.00
74.10	74.10	400.00	400.00
73.10	73.10	410.00	410.00
72.10	72.10	420.00	420.00
71.10	71.10	430.00	430.00
70.10	70.10	440.00	440.00
69.10	69.10	450.00	450.00
68.10	68.10	460.00	460.00
67.10	67.10	470.00	470.00
66.10	66.10	480.00	480.00
65.10	65.10	490.00	490.00
64.10	64.10	500.00	500.00

Progetto Villa Marchiano  
scala 1:100

**COMITENTE:**  
Comune di S. Demetrio Crotona  
Provincia di Crotona

**PROGETTISTI:**  
Arch. Salvatore Francesco Galati  
Arch. Adriano Adami

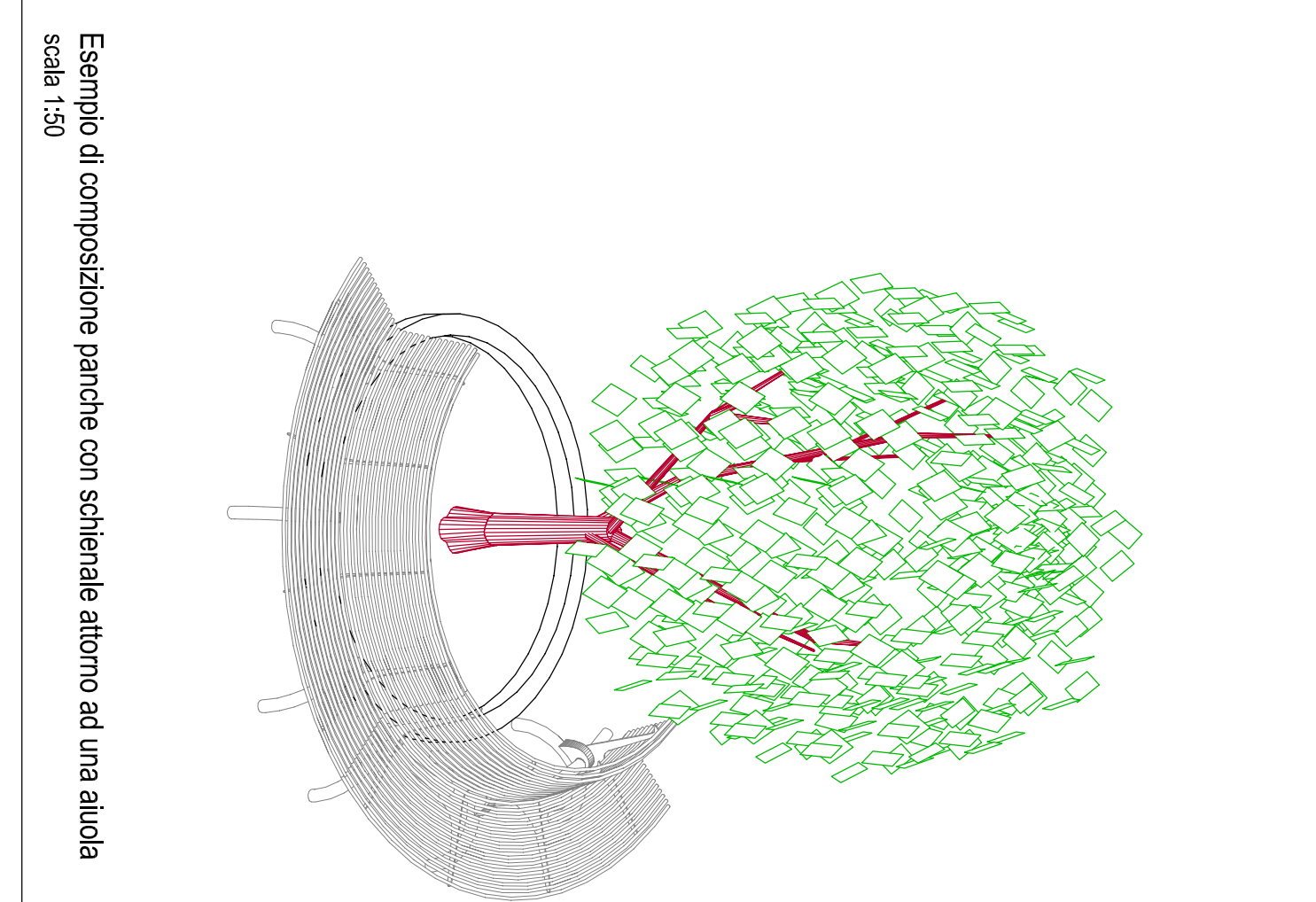
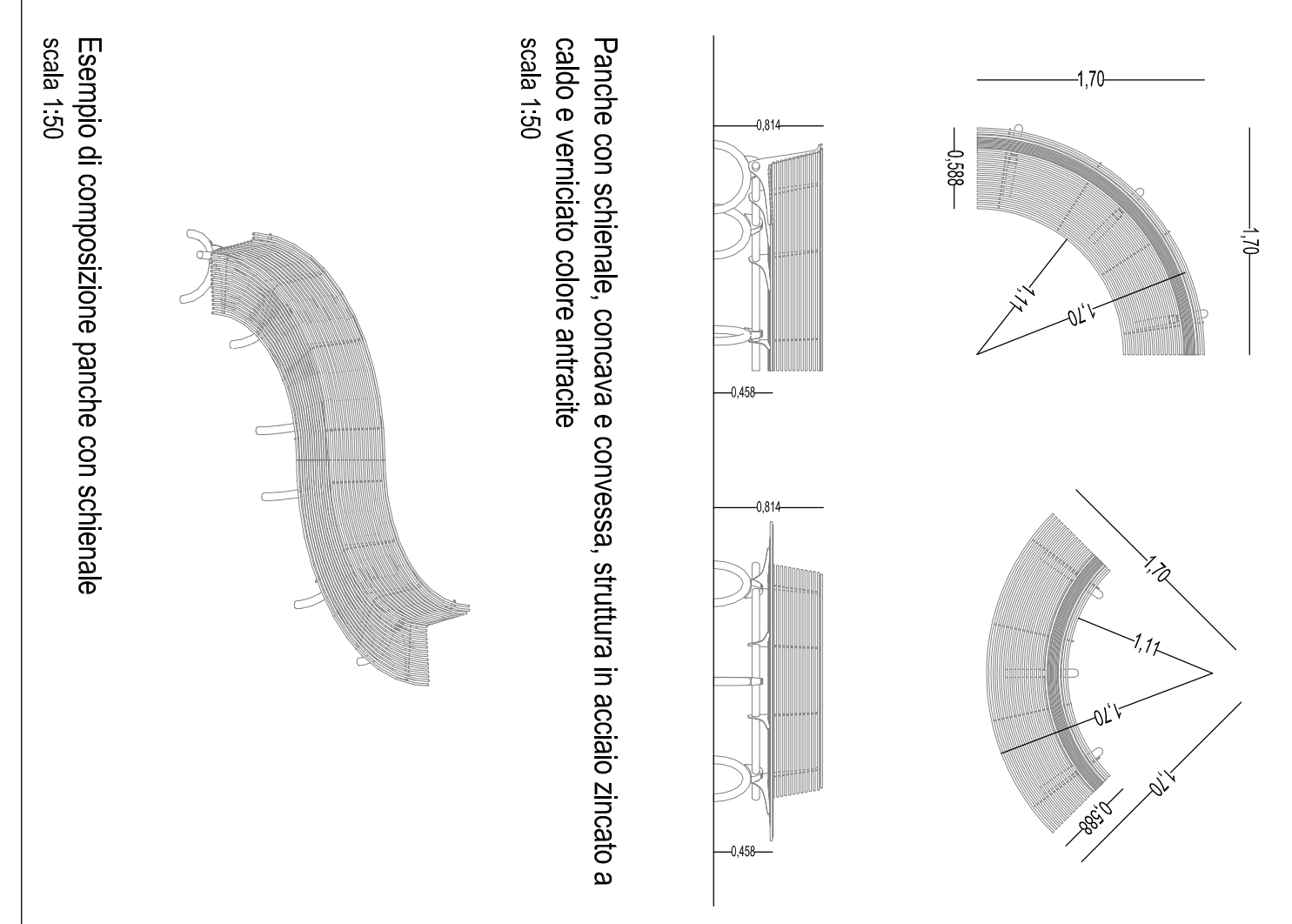
**DIRETTORE DEI LAVORI:**  
Arch. Salvatore Francesco Galati  
Arch. Adriano Adami

**PROGETTO ESECUTIVO:**  
Recupero area centro storico -  
cappolungo e frazione Marcellia

**DATA:** 30.08.2009 **TAV.:** 38

**ELABORATI GRAFICI:**  
Arch. Salvatore Francesco Galati **SCALE:** 1:100  
Arch. Adriano Adami **SCALE:** 1:200  
Particolare alle varie scale

**Arch. Salvatore Francesco Galati**  
Via G. Scanderbeg, 6 - 87009 - S. Demetrio C. (CR)  
Tel. 0974/24121 - Fax 0974/24121  
Arch. Adriano Adami  
Via G. Scanderbeg, 10 - 87014 - Trovati (CR)  
Tel. 0974/24121 - Fax 0974/24121  
Viale G. Scanderbeg, 11 - 87000 - Crotona (CR)



**SEZIONE B-B'**  
scala 1:200

Q.R. 400.00	QUOTA PROGETTO	QUOTA TERRENO	DISTANZE PARZIALI	DISTANZE PROGRESSIVE
0.00	0.00	0.00	0.00	0.00
2.24	0.00	0.00	2.24	2.24
6.53	0.00	0.00	4.29	6.53
11.53	0.00	0.00	5.00	11.53
28.63	0.00	0.00	7.64	28.63
31.27	0.00	0.00	7.64	31.27
35.49	0.00	0.00	4.22	35.49
38.37	0.00	0.00	2.88	38.37
41.69	0.00	0.00	3.32	41.69
47.26	0.00	0.00	5.57	47.26
50.55	0.00	0.00	3.29	50.55
56.49	0.00	0.00	5.94	56.49
60.56	0.00	0.00	4.07	60.56
67.63	0.00	0.00	7.07	67.63
71.63	0.00	0.00	4.00	71.63
74.94	0.00	0.00	3.31	74.94